

DASTECSRL

Representantes / Distribuidores Exclusivos

Buenos Aires, Argentina

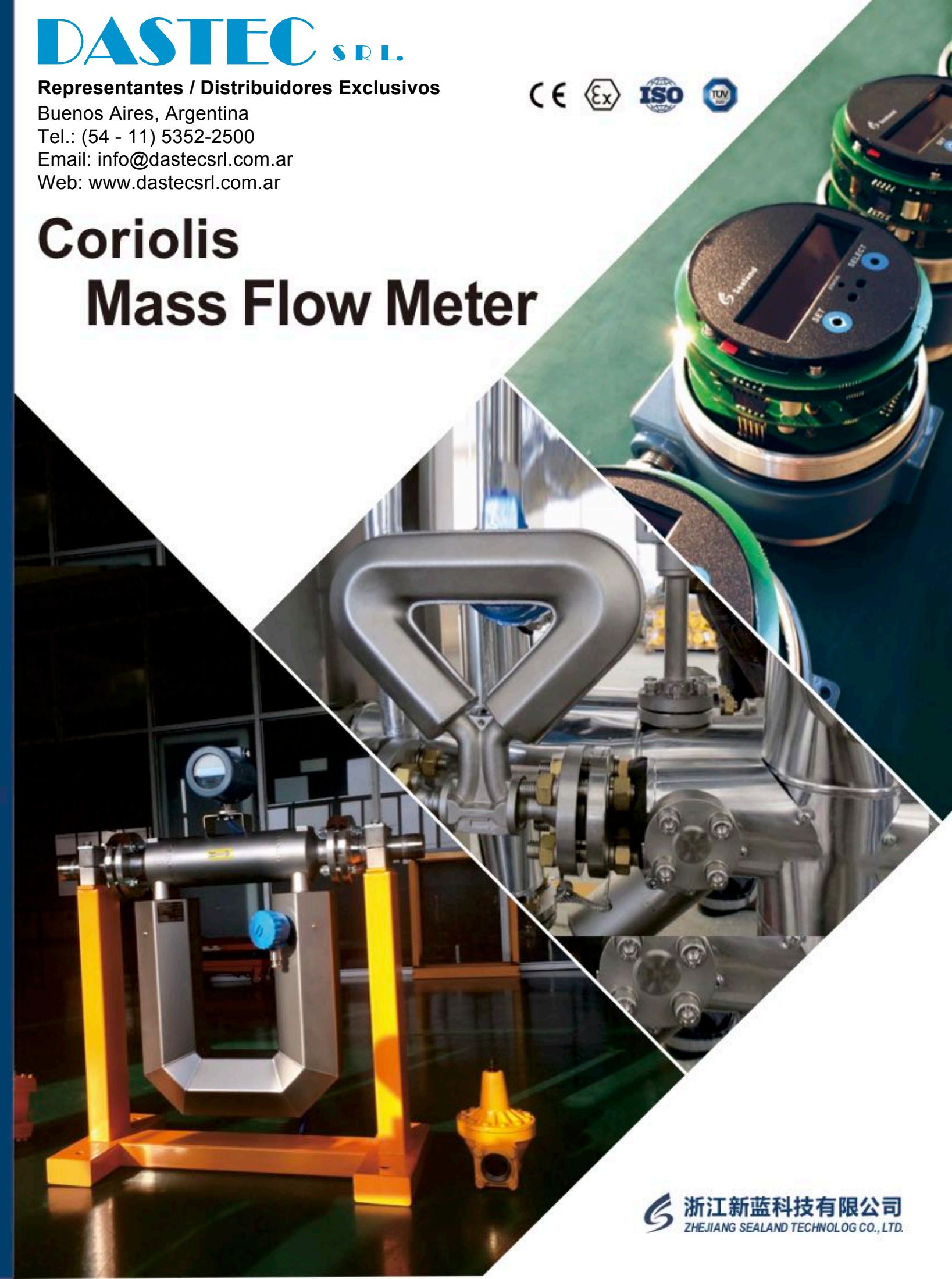
Tel.: (54 - 11) 5352-2500

Email: info@dastecsrl.com.ar

Web: www.dastecsrl.com.ar



Coriolis Mass Flow Meter



浙江新蓝科技有限公司
ZHEJIANG SEALAND TECHNOLOGY CO., LTD.

No. 460, Jinhai 1st Road, Binhai ETDZ, Wenzhou, Zhejiang, China, 325025

Tel.: +86-577-56908075 Fax.: +86-577-56908077

Mob.: +86-15858846172

E-mail: will@chinasealand.com

Web.: www.chinasealand.com

 浙江新蓝科技有限公司
ZHEJIANG SEALAND TECHNOLOGY CO., LTD.

Introduction



Zhejiang Sealand Technology Co. Ltd. is a professional hi-tech enterprise, founded in 2009 with 45 million CNY registered capital. Located in Binhai ETDZ, Wenzhou, the factory covers an area of 39393m², equipped with advanced production and test facilities, such as CNC pipe bending machine, vacuum brazing furnace and calibration lab with uncertainty 0.05%.

Sealand chief engineer is one of the first generation professor in China who did research and development of mass flow meter with more than 30 years' experience. After years of effort, Sealand learned the core technology and manufacturing technique; the product reaches a leading level and meets international standards; all models are approved by ISO 17025:2005 standard calibration lab. Besides, difficulty has been solved to measure fluid at high/low temperature, at a low flow rate and at a large pressure fluctuation, meeting the need for quick-acting and high accuracy on the market.

As a hi-tech enterprise, Sealand also cooperates with colleges and research institutes to keep technology updated. In the meantime, it concentrates on quality management and obtained Certificate of Quality System ISO9001, ISO14000, ISO45001, Certificate of Metrology, ATEX(TUV), IECEx & CE.

Sealand is looking forward to establishing a long-term cooperation with you and creating a bright future together!



Main Parameters



Model	Diameter (mm)	Max.flow (kg/h)	Max.working pressure (MPa)	Accuracy grade	Zero stability (kg/h)
CG-03	3	360	4	0.1,0.15, 0.2	0.012
CG-06	6	1200	4	0.1,0.15, 0.2	0.04
CG-15	15	3000	4/25	0.1,0.15, 0.2	0.12
CNG-15	15	4200	4/25	0.1,0.15, 0.2	0.19
CNG-20	20	7200	4/25	0.1,0.15, 0.2	0.36
CG-25	25	12000	4	0.1,0.15, 0.2	0.62
CG-40	40	30000	4	0.1,0.15, 0.2	1.6
CG-50	50	60000	4	0.1,0.15, 0.2	2.38
CG-80	80	180000	4	0.1,0.15, 0.2	7.05
CG-100	100	260000	4	0.1,0.15, 0.2	12.0
CG-150	150	480000	4	0.1,0.15, 0.2	50.0



Calibration Lab Uncertainty: 0.05%

Production & Testing Equipment



Transmitter assembly line



Burn-in area



METTLER TOLEDO IND560



CNC pipe bending machine



Sensor assembly line



Vacuum brazing furnace

MASS FLOW METER

Introduction

Mass flow meter is a device that measures the mass of a fluid traveling through a tube, in accordance with Coriolis Principle. Coriolis mass flow meter can directly measure fluid mass flow, and has great influence on processing and measuring methods in energy & chemical industries. Compared with traditional volumetric flow measurement, it has following advantages:

1. High accuracy: Generally from 0.1% - 0.5%.
2. Wide application: Besides common fluid, mass flow meter can measure fluids such as non-Newtonian fluid, all kinds of slurry, suspensions, etc.
3. Convenient installation: No specific requirement of choosing upstream or downstream pipe.
4. High reliability

Other Features



Requires low maintenance, because of no movable parts.



Shows many parameters simultaneously, such as mass flow, temperature, density, etc.



Not affected by the fluid, saving design & installation cost.



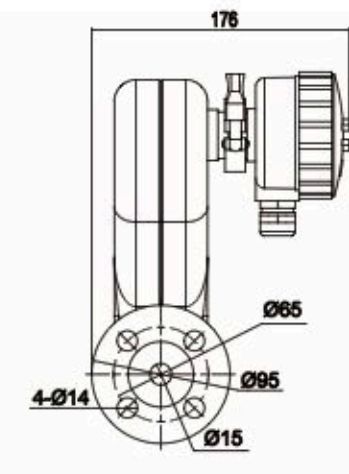
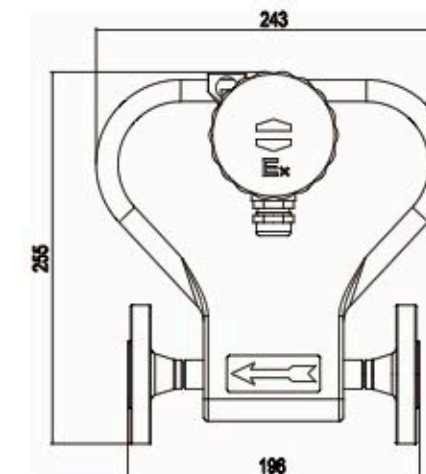
One sensor can be used for various fluids.

Mass Flow Meter CG-03



Model No.	CG-03
Nominal diameter	3mm
Max. flow rate	360kg/h
Liquid accuracy	±0.1%, ±0.15%, ±0.2%, ±0.5%
Temp. accuracy	±1°C ±0.5% of reading
Density accuracy	±0.002g/cm ³
Zero stability	0.012kg/h
Repeatability	0.05%, 0.075%, 0.1%, 0.25%
MWP.	4MPa
Operating voltage	85~265VAC or 12~24VDC
Ingress protection	IP65 / IP67
Fluid temperature	-70~+160°C, -200~+60°C, -40~+300°C
Operating temp.	-30~+60°C/-40~+60°C
Vibrating tube	Stainless steel 316L
End connection	DN15 Flange
Communication & Output	RS485, Pulse, 4-20mA & HART
Ex-mark	ⓂII 2G Ex db IIC T6...T1 Gb
Warranty	2-year
Certificate	ATEX, IECEx, SIL, CE
Package size	515*305*235mm
G.W.	15.2kgs

Mark:
The above parameters are for our standard models.
Please contact our sales team if you have any special requirement.

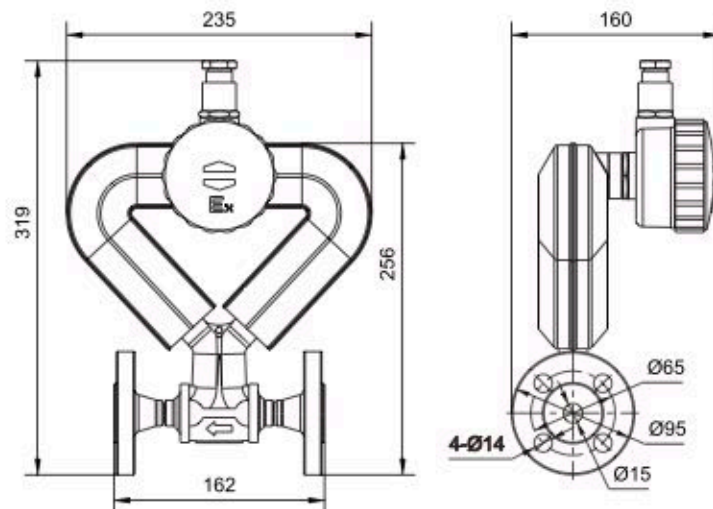


Mass Flow Meter CG-06



Model No.	CG-06
Nominal diameter	6mm
Max. flow rate	1200 kg/h
Liquid accuracy	±0.1% , ±0.15% , ±0.2% , ±0.5%
Temp. accuracy	±1°C ±0.5% of reading
Density accuracy	±0.002g/cm ³
Zero stability	0.04kg/h
Repeatability	0.05% , 0.075% , 0.1% , 0.25%
MWP.	4MPa
Operating voltage	85~265VAC or 12~24VDC
Ingress protection	IP65 / IP67
Fluid temperature	-70~+160°C , -200~+60°C , -40~+300°C
Operating temp.	-30~+60°C / -40~+60°C
Vibrating tube	Stainless steel 316L
End connection	DN15 Flange
Communication & Output	RS485, Pulse, 4-20mA & HART
Ex-mark	Ⓜ II 2G Ex db IIC T6...T1 Gb
Warranty	2-year
Certificate	ATEX, IECEx, SIL, CE
Package size	515*305*235mm
G.W.	9kgs

Mark:
The above parameters are for our standard models.
Please contact our sales team if you have any special requirement.

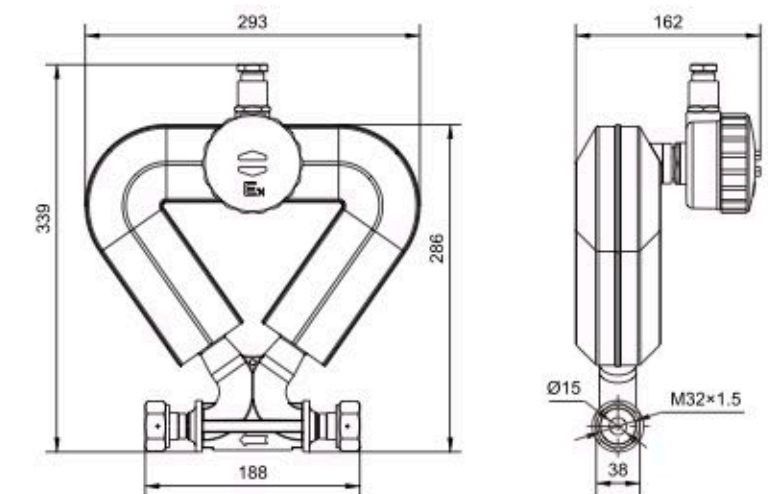


Mass Flow Meter CG-15



Model No.	CG-15
Nominal diameter	15mm
Max. flow rate	3000 kg/h
Liquid accuracy	±0.1% , ±0.15% , ±0.2% , ±0.5%
Temp. accuracy	±1°C ±0.5% of reading
Density accuracy	±0.002g/cm ³
Zero stability	0.12kg/h
Repeatability	0.05% , 0.075% , 0.1% , 0.25%
MWP.	25MPa
Operating voltage	85~265VAC or 12~24VDC
Ingress protection	IP65 / IP67
Fluid temperature	-70~+160°C , -200~+60°C , -40~+300°C
Operating temp.	-30~+60°C / -40~+60°C
Vibrating tube	Stainless steel 316L
End connection	Nut 32X1.5
Communication & Output	RS485, Pulse, 4-20mA & HART
Ex-mark	Ⓜ II 2G Ex db IIC T6...T1 Gb
Warranty	2-year
Certificate	ATEX, IECEx, SIL, CE
Package size	575*320*185mm
G.W.	10.5kgs

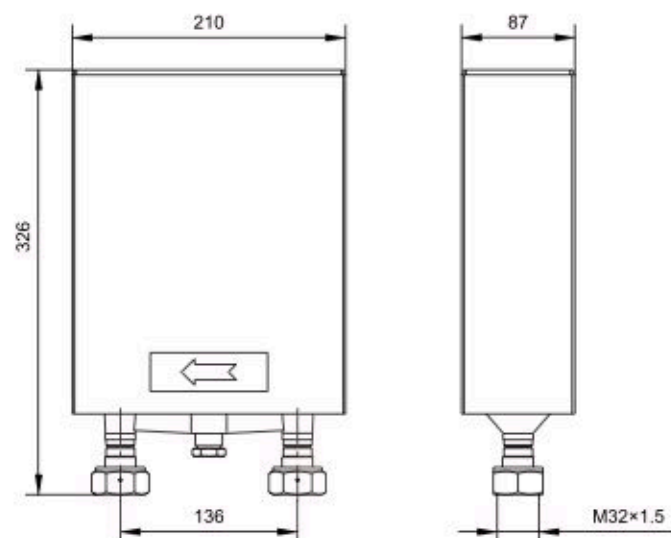
Mark:
The above parameters are for our standard models.
Please contact our sales team if you have any special requirement.



Mass Flow Meter CNG-15

Model No.	CNG-15
Nominal diameter	15mm
Max. flow rate	4200 kg/h
Liquid accuracy	±0.1% , ±0.15% , ±0.2% , ±0.5%
Temp. accuracy	±1°C ±0.5% of reading
Density accuracy	±0.002g/cm ³
Zero stability	0.19kg/h
Repeatability	0.05% , 0.075% , 0.1% , 0.25%
MWP.	4MPa/25MPa
Operating voltage	85~265VAC or 12~24VDC
Ingress protection	IP65 / IP67
Fluid temperature	-70~+160°C , -200~+60°C , -40~+300°C
Operating temp.	-30~+60°C / -40~+60°C
Vibrating tube	Stainless steel 316L
End connection	Nut 32X1.5
Communication & Output	RS485, Pulse, 4-20mA & HART
Ex-mark	Ⓜ II 2G Ex db IIC T6...T1 Gb
Warranty	2-year
Certificate	CE, ATEX
Package size	580*350*250mm
G.W.	14kgs

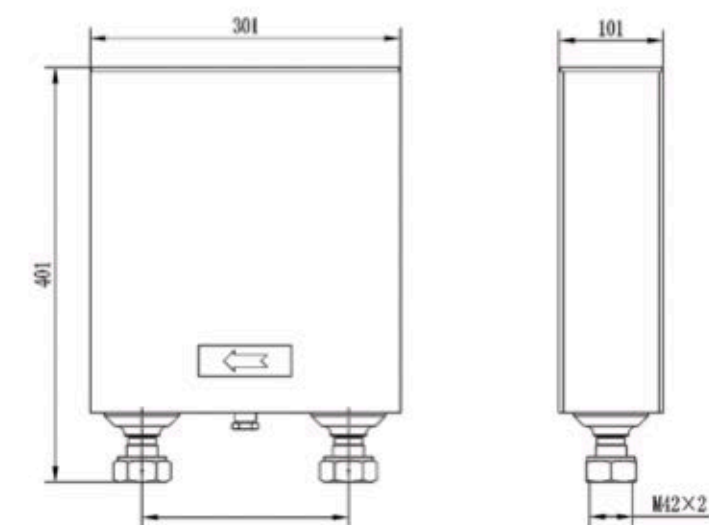
Mark:
The above parameters are for our standard models.
Please contact our sales team if you have any special requirement.



Mass Flow Meter CNG-20

Model No.	CNG-20
Nominal diameter	20mm
Max. flow rate	7200 kg/h
Liquid accuracy	±0.1% , ±0.15% , ±0.2% , ±0.5%
Temp. accuracy	±1°C ±0.5% of reading
Density accuracy	±0.002g/cm ³
Zero stability	0.36kg/h
Repeatability	0.05% , 0.075% , 0.1% , 0.25%
MWP.	25MPa
Operating voltage	85~265VAC or 12~24VDC
Ingress protection	IP65 / IP67
Fluid temperature	-70~+160°C , -200~+60°C , -40~+300°C
Operating temp.	-30~+60°C / -40~+300°C
Vibrating tube	Stainless steel 316L
End connection	Nut 42X2
Communication & Output	RS485, Pulse, 4-20mA & HART
Ex-mark	Ⓜ II 2G Ex db IIC T6...T1 Gb
Warranty	2-year
Certificate	ATEX
Package size	495*415*215mm
G.W.	22kgs

Mark:
The above parameters are for our standard models.
Please contact our sales team if you have any special requirement.

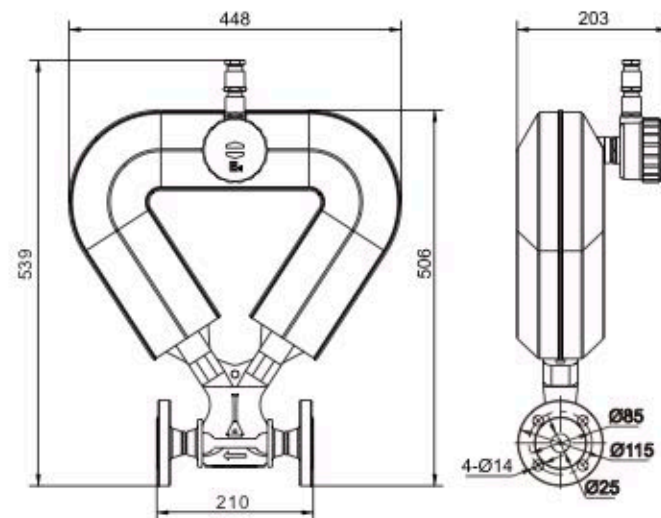


Mass Flow Meter CG-25



Model No.	CG-25
Nominal diameter	25mm
Max. flow rate	12000 kg/h
Liquid accuracy	±0.1% , ±0.15% , ±0.2% , ±0.5%
Temp. accuracy	±1°C ±0.5% of reading
Density accuracy	±0.002g/cm ³
Zero stability	0.62kg/h
Repeatability	0.05% , 0.075% , 0.1% , 0.25%
MWP.	4MPa
Operating voltage	85~265VAC or 12~24VDC
Ingress protection	IP65 / IP67
Fluid temperature	-70~+160°C , -200~+60°C , -40~+300°C
Operating temp.	-30~+60°C / -40~+60°C
Vibrating tube	Stainless steel 316L
End connection	DN25 flange
Communication & Output	RS485, Pulse, 4-20mA & HART
Ex-mark	Ⓜ II 2G Ex db IIC T6...T1 Gb
Warranty	2-year
Certificate	CE, ATEX
Package size	665*645*320mm
G.W.	23kgs

Mark:
The above parameters are for our standard models.
Please contact our sales team if you have any special requirement.

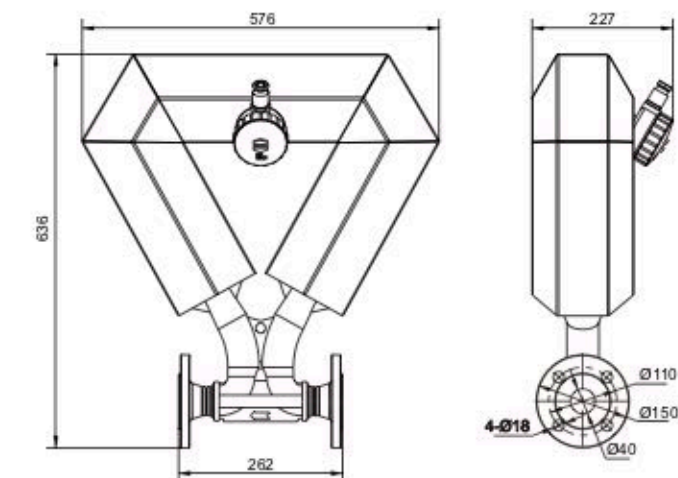


Mass Flow Meter CG-40



Model No.	CG-40
Nominal diameter	40mm
Max. flow rate	32000 kg/h
Liquid accuracy	±0.1% , ±0.15% , ±0.2% , ±0.5%
Temp. accuracy	±1°C ±0.5% of reading
Density accuracy	±0.002g/cm ³
Zero stability	1.6kg/h
Repeatability	0.05% , 0.075% , 0.1% , 0.25%
MWP.	4MPa
Operating voltage	85~265VAC or 12~24VDC
Ingress protection	IP65 / IP67
Fluid temperature	-70~+160°C , -200~+60°C , -40~+300°C
Operating temp.	-30~+60°C / -40~+60°C
Vibrating tube	Stainless steel 316L
End connection	DN40 flange
Communication & Output	RS485, Pulse, 4-20mA & HART
Ex-mark	Ⓜ II 2G Ex db IIC T6...T1 Gb
Warranty	2-year
Certificate	CE, ATEX
Package size	795*740*420mm
G.W.	49kgs

Mark:
The above parameters are for our standard models.
Please contact our sales team if you have any special requirement.

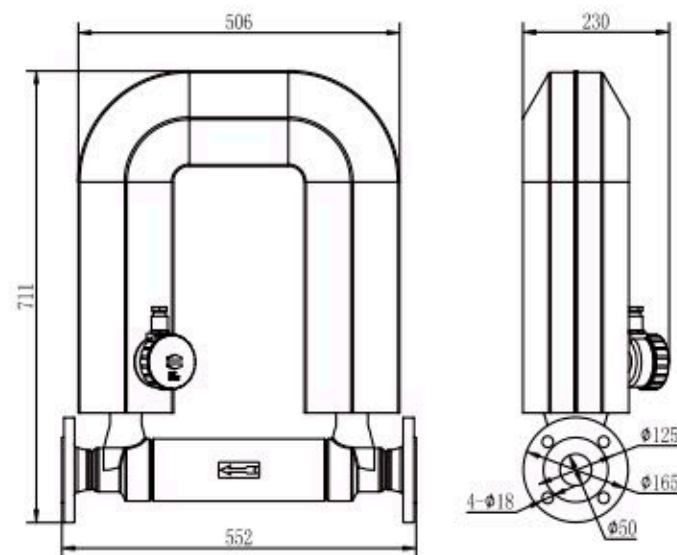


Mass Flow Meter CG-50



Model No.	CG-50
Nominal diameter	50mm
Max. flow rate	60000kg/h
Liquid accuracy	±0.1% , ±0.15% , ±0.2% , ±0.5%
Temp. accuracy	±1°C ±0.5% of reading
Density accuracy	±0.002g/cm ³
Zero stability	2.38kg/h
Repeatability	0.05% , 0.075% , 0.1% , 0.25%
MWP.	4MPa
Operating voltage	85~265VAC or 12~24VDC
Ingress protection	IP65 / IP67
Fluid temperature	-70~+160°C , -200~+60°C , -40~+300°C
Operating temp.	-30~+60°C / -40~+60°C
Vibrating tube	Stainless steel 316L
End connection	DN50 flange
Communication & Output	RS485, Pulse, 4-20mA & HART
Ex-mark	Ⓜ II 2G Ex db IIC T6...T1 Gb
Warranty	2-year
Certificate	CE, ATEX
Package size	865*715*430mm
G.W.	65kgs

Mark:
The above parameters are for our standard models.
Please contact our sales team if you have any special requirement.

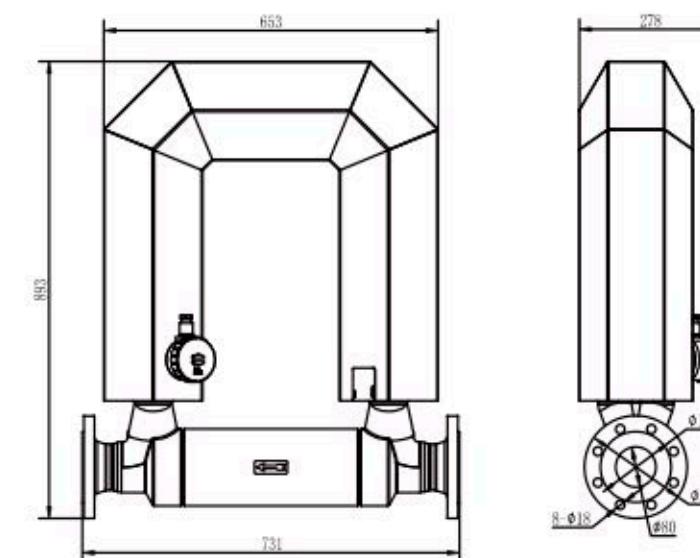


Mass Flow Meter CG-80



Model No.	CG-80
Nominal diameter	80mm
Max. flow rate	180000kg/h
Liquid accuracy	±0.1% , ±0.15% , ±0.2% , ±0.5%
Temp. accuracy	±1°C ±0.5% of reading
Density accuracy	±0.002g/cm ³
Zero stability	7.05kg/h
Repeatability	0.05% , 0.075% , 0.1% , 0.25%
MWP.	4MPa
Operating voltage	85~265VAC or 12~24VDC
Ingress protection	IP65 / IP67
Fluid temperature	-70~+160°C , -200~+60°C , -40~+300°C
Operating temp.	-30~+60°C / -40~+60°C
Vibrating tube	Stainless steel 316L
End connection	DN80 flange
Communication & Output	RS485, Pulse, 4-20mA & HART
Ex-mark	Ⓜ II 2G Ex db IIC T6...T1 Gb
Warranty	2-year
Certificate	CE, ATEX
Package size	1080*900*510mm
G.W.	111kgs

Mark:
The above parameters are for our standard models.
Please contact our sales team if you have any special requirement.

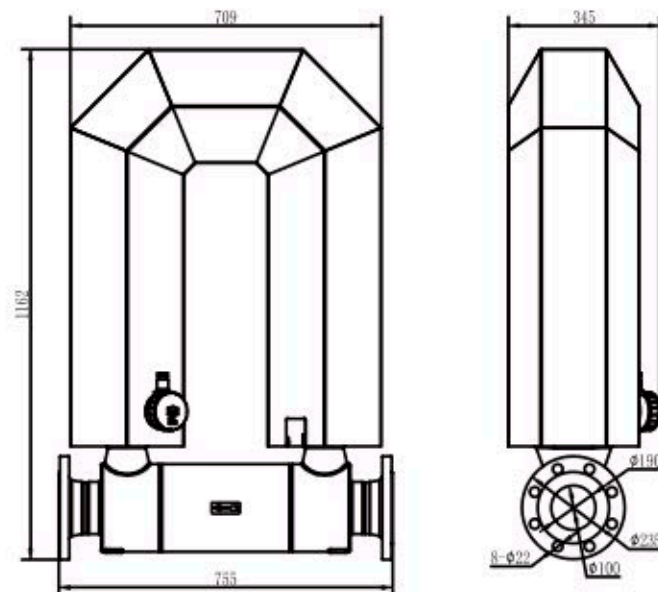


Mass Flow Meter CG-100



Model No.	CG-100
Nominal diameter	100mm
Max. flow rate	26000kg/h
Liquid accuracy	±0.1% , ±0.15% , ±0.2% , ±0.5%
Temp. accuracy	±1°C ±0.5% of reading
Density accuracy	±0.002g/cm ³
Zero stability	12kg/h
Repeatability	0.05% , 0.075% , 0.1% , 0.25%
MWP.	4MPa
Operating voltage	85~265VAC or 12~24VDC
Ingress protection	IP65 / IP67
Fluid temperature	-70~+160°C , -200~+60°C , -40~+300°C
Operating temp.	-30~+60°C / -40~+60°C
Vibrating tube	Stainless steel 316L
End connection	DN100 flange
Communication & Output	RS485, Pulse, 4-20mA & HART
Ex-mark	Ⓜ II 2G Ex db IIC T6...T1 Gb
Warranty	2-year
Certificate	CE, ATEX
Package size	1360*900*500mm
G.W.	161kgs

Mark:
The above parameters are for our standard models.
Please contact our sales team if you have any special requirement.

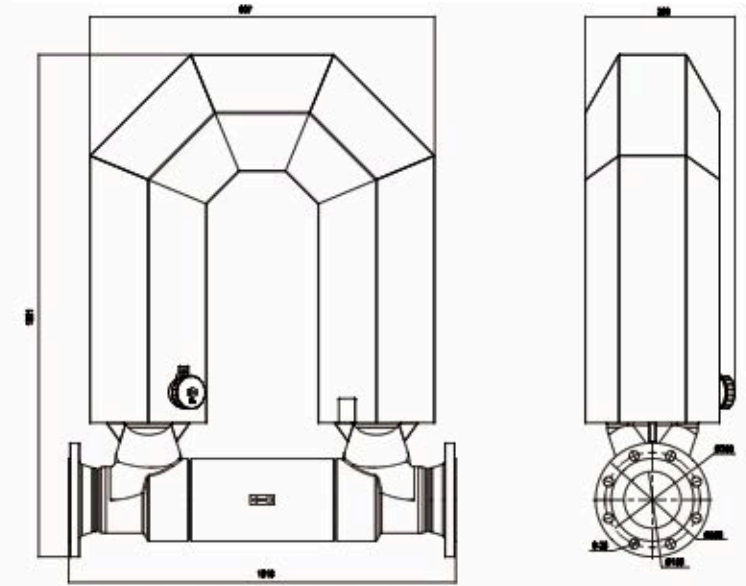


Mass Flow Meter CG-150



Model No.	CG-150
Nominal diameter	150mm
Max. flow rate	48000kg/h
Liquid accuracy	±0.1% , ±0.15% , ±0.2% , ±0.5%
Temp. accuracy	±1°C ±0.5% of reading
Density accuracy	±0.002g/cm ³
Zero stability	50kg/h
Repeatability	0.05% , 0.075% , 0.1% , 0.25%
MWP.	4MPa
Operating voltage	85~265VAC or 12~24VDC
Ingress protection	IP65 / IP67
Fluid temperature	-70~+160°C , -200~+60°C , -40~+300°C
Operating temp.	-30~+60°C / -40~+60°C
Vibrating tube	Stainless steel 316L
End connection	DN150 flange
Communication & Output	RS485, Pulse, 4-20mA & HART
Ex-mark	Ⓜ II 2G Ex db IIC T6...T1 Gb
Warranty	2-year
Certificate	CE, ATEX
Package size	1560*1180*615mm
G.W.	272kgs

Mark:
The above parameters are for our standard models.
Please contact our sales team if you have any special requirement.

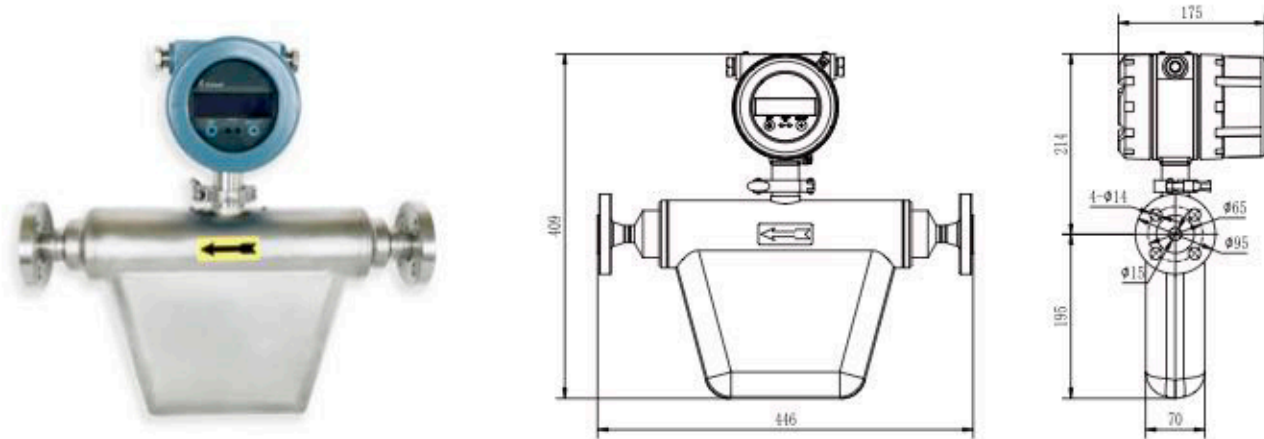


Mass Flow Meter MS-15



Model No.	MS-15
Nominal diameter	15mm
Max. flow rate	3000 kg/h
Liquid accuracy	±0.15%, ±0.2%, ±0.3%, ±0.5%
Temp. accuracy	±1°C ±0.5% of reading
Density accuracy	±0.002g/cm ³
Zero stability	0.12kg/h
Repeatability	0.075%, 0.1%, 0.15%, 0.25%
MWP.	4MPa
Operating voltage	85~265VAC or 12~24VDC
Ingress protection	IP65 / IP67
Fluid temperature	-70~+160°C, -200~+60°C, -40~+300°C
Operating temp.	-30~+60°C/-40~+60°C
Vibrating tube	Stainless steel 316L/Hastelloy C
End connection	DN15 flange
Communication & Output	RS485, Pulse, 4-20mA & HART
Ex-mark	Ⓜ II 2G Ex db IIC T6...T1 Gb
Warranty	2-year
Package size	695*415*215mm
G.W.	16kgs

Mark:
The above parameters are for our standard models.
Please contact our sales team if you have any special requirement.

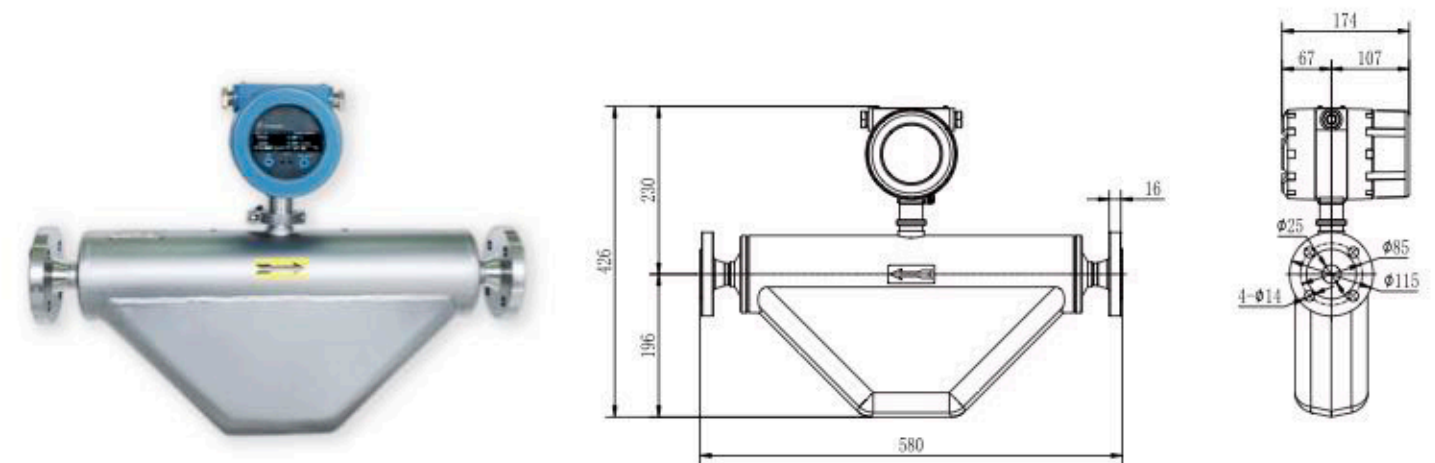


Mass Flow Meter MS-25



Model No.	MS-25
Nominal diameter	25mm
Max. flow rate	12000 kg/h
Liquid accuracy	±0.2%, ±0.3%, ±0.5%
Temp. accuracy	±1°C ±0.5% of reading
Density accuracy	±0.002g/cm ³
Zero stability	0.93kg/h
Repeatability	0.1%, 0.15%, 0.25%
MWP.	4MPa
Operating voltage	85~265VAC or 12~24VDC
Ingress protection	IP65 / IP67
Fluid temperature	-70~+160°C, -200~+60°C, -40~+300°C
Operating temp.	-30~+60°C/-40~+60°C
Vibrating tube	Stainless steel 316L/Hastelloy C
End connection	DN25 flange
Communication & Output	RS485, Pulse, 4-20mA & HART
Ex-mark	Ⓜ II 2G Ex db IIC T6...T1 Gb
Warranty	2-year
Package size	695*415*215mm
G.W.	22.5kgs

Mark:
The above parameters are for our standard models.
Please contact our sales team if you have any special requirement.

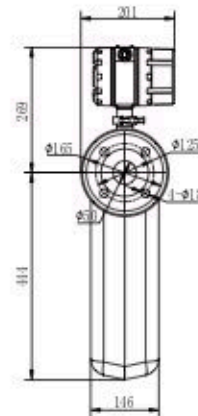
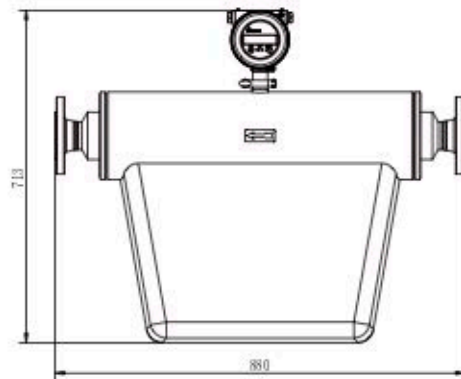


Mass Flow Meter MS-50



Model No.	MS-50
Nominal diameter	50mm
Max. flow rate	60000 kg/h
Liquid accuracy	±0.15%, ±0.2%, ±0.3%, ±0.5%
Temp. accuracy	±1°C ±0.5% of reading
Density accuracy	±0.002g/cm ³
Zero stability	2.38kg/h
Repeatability	0.075%, 0.1%, 0.15%, 0.25%
MWP.	4MPa
Operating voltage	85~265VAC or 12~24VDC
Ingress protection	IP65 / IP67
Fluid temperature	-70~+160°C, -200~+60°C, -40~+300°C
Operating temp.	-30~+60°C / -40~+60°C
Vibrating tube	Stainless steel 316L/Hastelloy C
End connection	DN50 flange
Communication & Output	RS485, Pulse, 4-20mA & HART
Ex-mark	Ⓔ II 2G Ex db IIC T6...T1 Gb
Warranty	2-year
Package size	700*420*220mm
G.W.	107kgs

Mark:
The above parameters are for our standard models.
Please contact our sales team if you have any special requirement.



Batch Controller



Model No.	SL-B
Voltage	24VDC or 220VAC
Output	Valve signal, relay pump signal
Ambient temp	-40~+70°C
G.W.	19.2kgs
Package size	590*500*340mm
Ex-mark	Ex d e ib IIB T4 Gb



Transmitter F231



Specifications

Operating temp.	-30°C~+60°C / -40°C~+60°C
RH	≤95%, non condensing
Atmospheric Pressure	86~106 kPa
Operating voltage	AC85~265V/ DC12~24V
Communication port	RS485, Pulse, 4-20mA & HART
Ex-mark	Ⓔ II 2G Ex db [ib] IIC T6...T1 Gb





Application Scope

Mass flow meter can be applied to the following industries.

- Alternative Energy
- Oil & Gas
- Chemical
- Food & Beverage
- Industrial Energy
- Marine
- Power
- Pulp & Paper
- Refining
- Others

Certificates

Production Certificate



ATEX



CE



Business License



Ex-proof



IECEX



SIL



Patent



ISO 14001:2015



ISO 9001:2015



ISO 45001:2018

